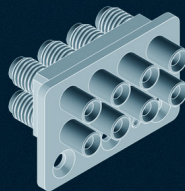


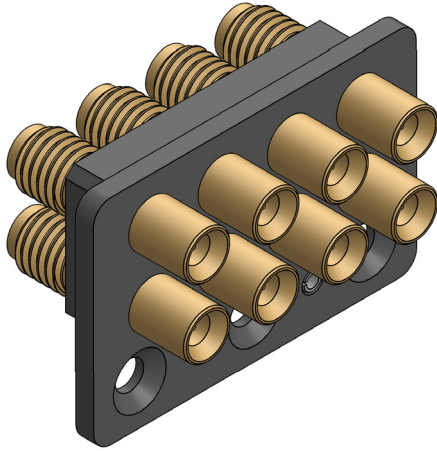
**DELTA**  
Electronics Mfg. Corp.



**VITA 67**  
4 & 8 Position  
Housings

**“Experience the Delta Difference.”**





Delta Electronics Manufacturing Corp. introduces 4 position (VITA 67.1) and 8 position (VITA 67.2) RF connector housings designed for 3U and 6U formats within the OpenVPX™ architecture. Ideal for blind mating daughtercards to motherboards, the SMPM RF contacts provide +/- .010" radial misalignment tolerance and excellent return loss up to 40 GHz. Precision machined from either stainless steel or aluminum, the 4 and 8 position housings are available with pre-loaded SMPM adapters or a cost effective, direct snap-in, cable mount SMPM contact. The right angle daughtercard solutions are offered with the direct snap-in SMPM contacts designed for both .047" and .086" flexible semi-rigid cable.

## Ideal For Blind Mate Applications



## Electrical, Mechanical & Environmental Specifications

### Electrical – SMPM Contacts

**Characteristic Impedance:** 50 ohms

**Operating Frequency:** DC to 40 GHz

**VSWR:**

1.25:1 TYP. DC to 26.5 GHz (Connectors Only)

1.4:1 TYP. 26.5 GHz to 40 GHz (Connectors Only)

**Insertion Loss:** 0.12 \* √f (GHz), DC to 26.5 GHz

**Isolation:** > 100 dB, DC to 26.5 GHz

**Operating Voltage:** 200 volts AC

### Mechanical

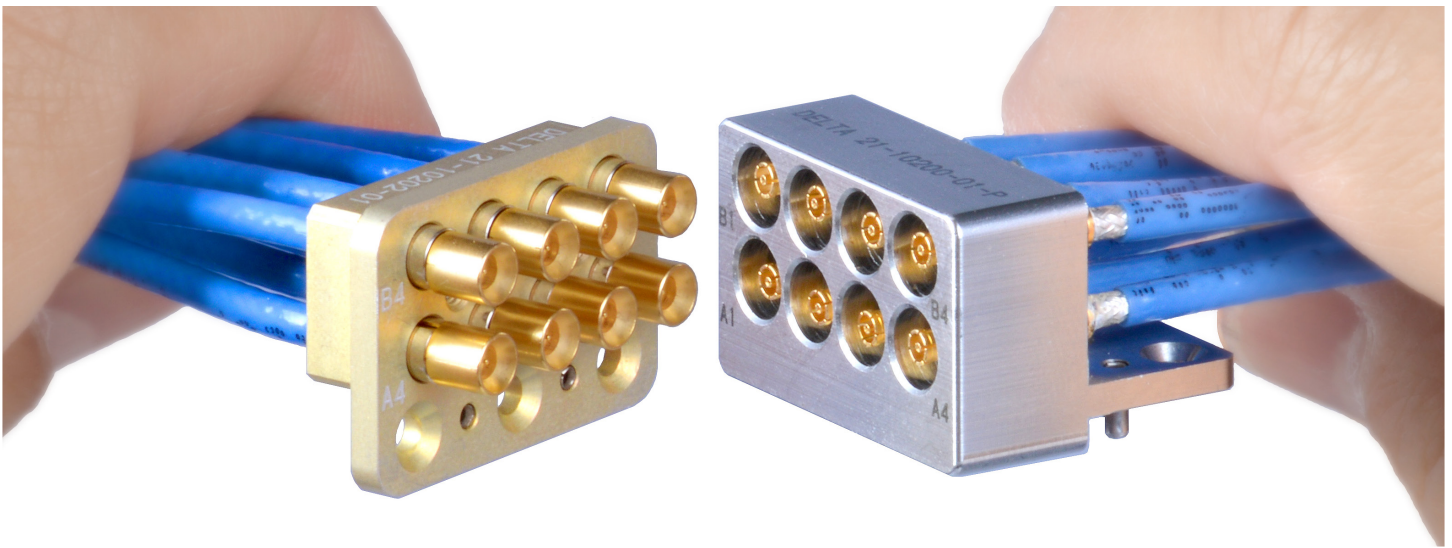
**Axial Travel:** .079" Min

**Radial Float:** ±.010" Min

**Engage Force:** 3.5 lbs (typical per contact)

### Environmental

**Temperature Range:** -55 to 105°C



## VITA 67 Product Overview

### Vita 67 Applications

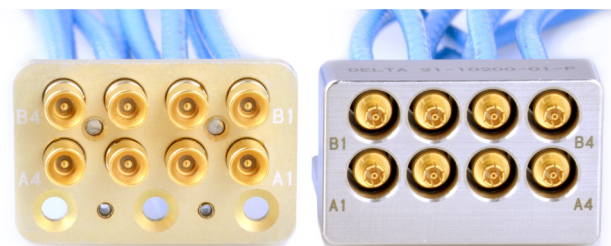
- ▶ VITA OpenVPX™ compliant solution.
- ▶ VITA 67.1: 4 position RF housing.
- ▶ VITA 67.2: 8 position RF housing.
- ▶ Housings machined from stainless steel or aluminum.
- ▶ .240" center-to-center spacing.
- ▶ SMPM dimensions in accordance with Mil-STD-348.
- ▶ SMPM RF contacts operate to 40 GHz.

### Motherboard Solutions

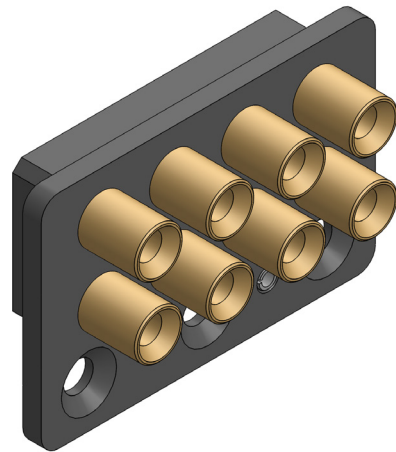
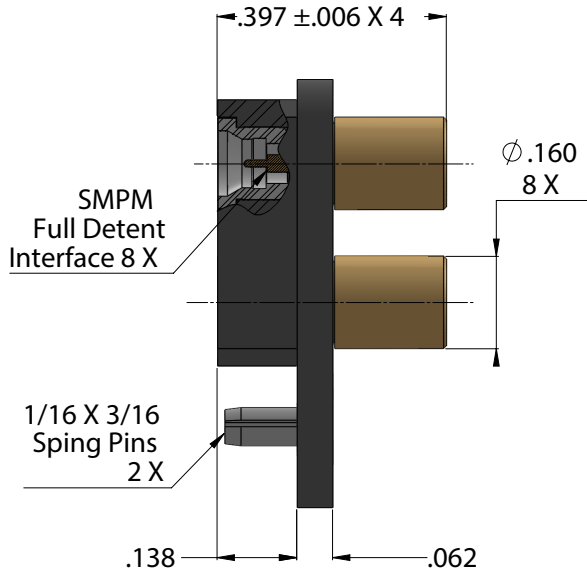
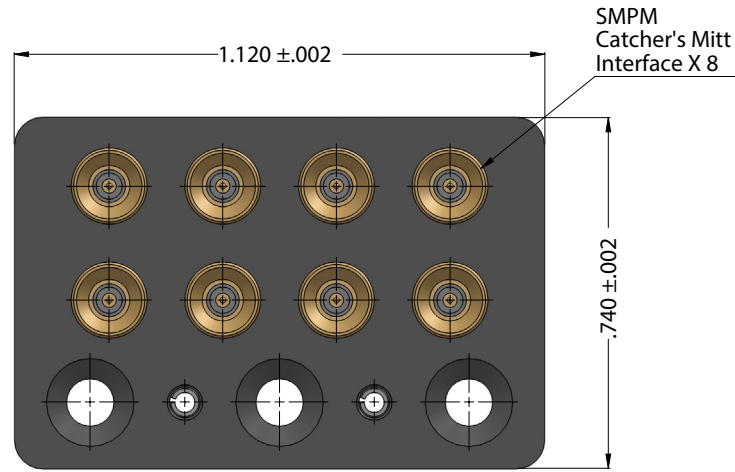
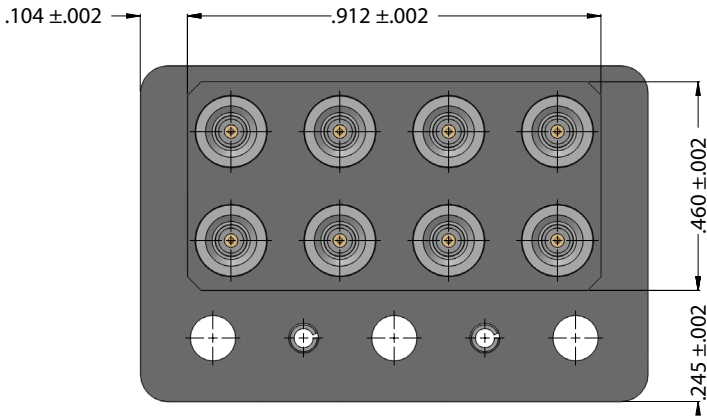
- ▶ Vertical two-piece housings, 4 and 8 positions.
- ▶ **Direct snap-In** SMPM contacts.
  - Designed for either .047" or .086" semi-rigid or flexible equivalent.
  - Cost effective solution eliminating the need for adapters.
  - Improved insertion loss and return loss versus adapter solution.
  - Housings can be selectively loaded.
  - Opposite end of SMPM direct snap-in cable assembly, can be terminated with a variety of Delta RF interfaces.
- ▶ **Jack-to-Jack Adapters**, within and between series.
  - SMPM (Catchers Mitt) to SMPM (Full Detent) Adapters.
  - SMPM (Catchers Mitt) to DM45 Jack Adapters.
  - Housings can be selectively loaded.

### Daughterboard Solutions

- ▶ Right angle housings, 4 and 8 positions.
- ▶ **Direct snap-In**, floating SMPM contacts.
  - Designed for either .047" or .086" Semi-Rigid or flexible equivalent.
  - Cost effective solution eliminating the need for adapters.
  - Housings can be selectively loaded.



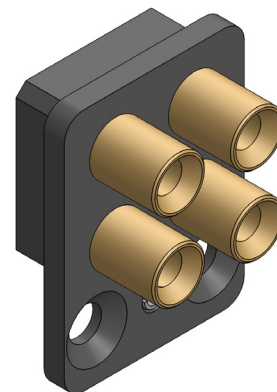
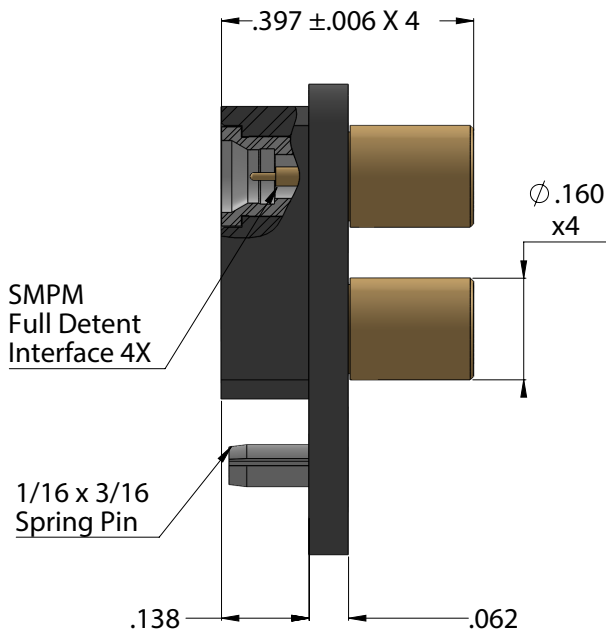
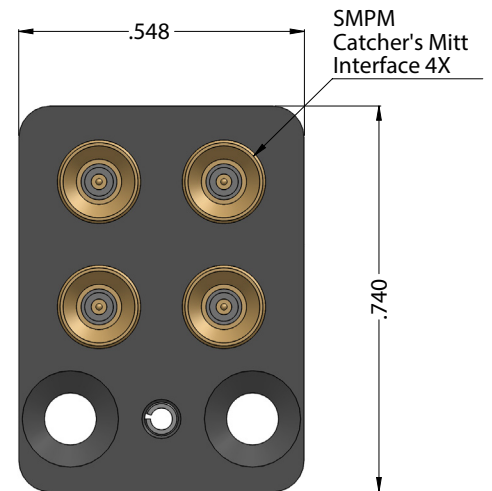
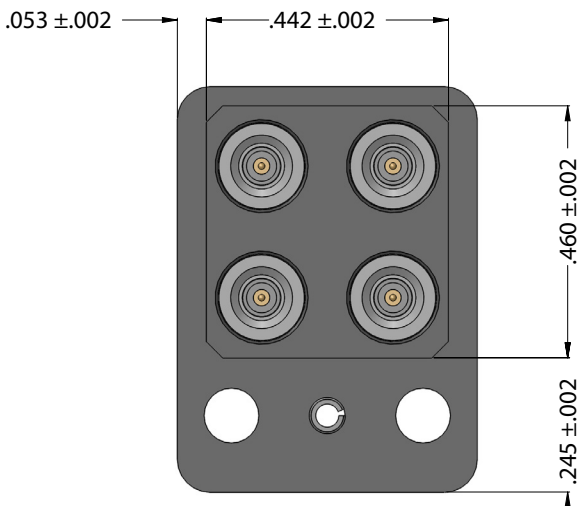
## VITA 67 Adapter Interconnects



8827000G001-001  
 SMPM Male (CM-SB) To SMPM Male (FD)  
 Adapter Plate - 8 Positions  
 (Passivate & Gold Plating)

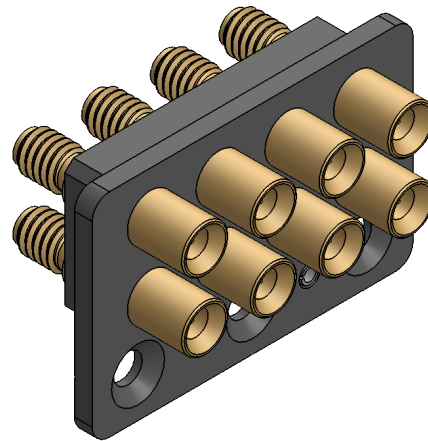
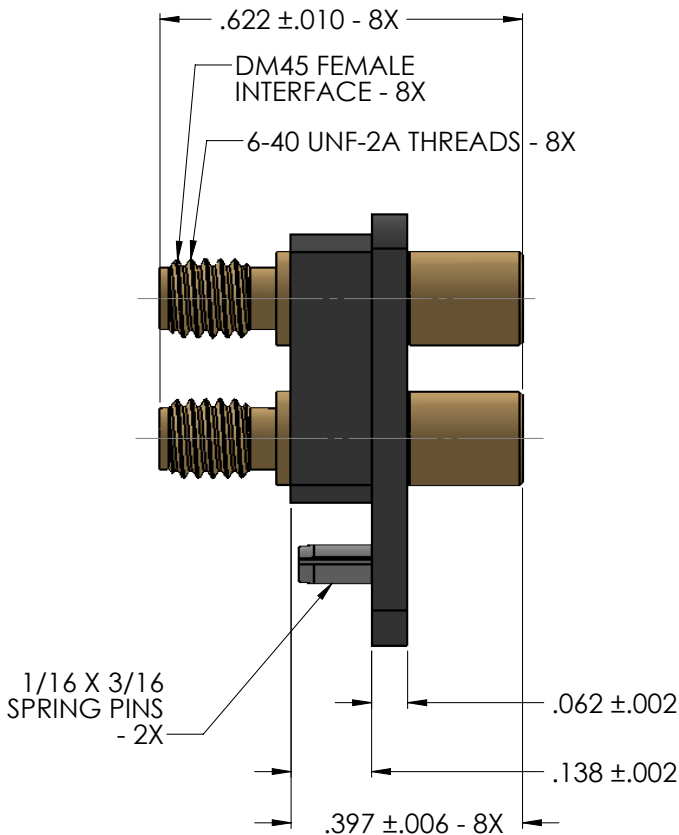
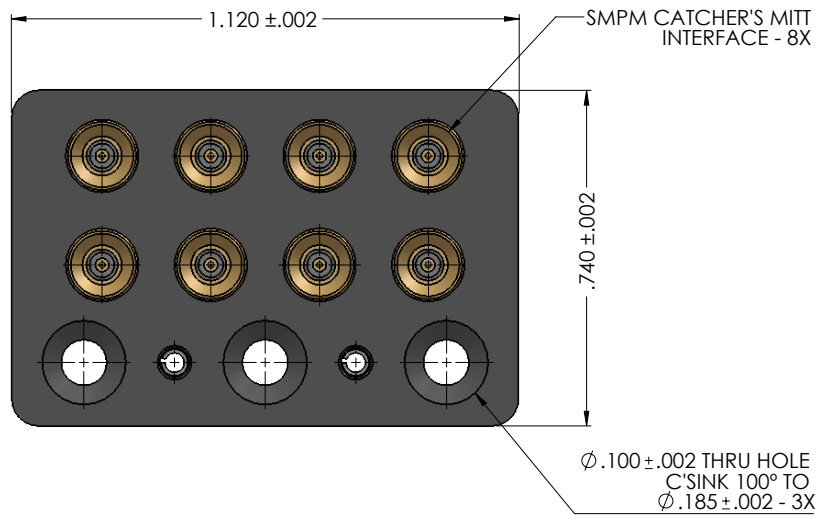
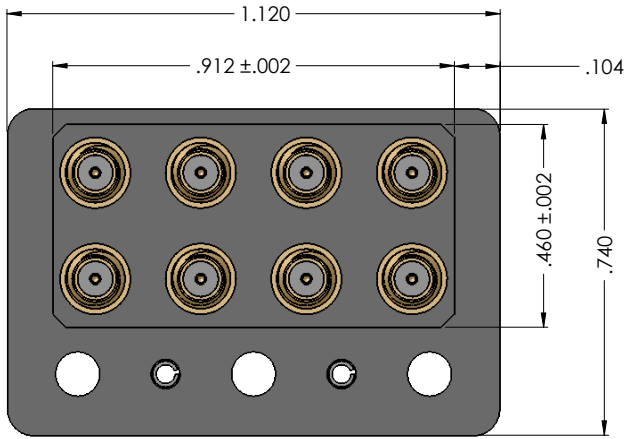


## VITA 67 Adapter Interconnects



8827000G001-000  
 SMPM Male (CM-SB) To SMPM Male (FD)  
 Adapter Plate - 4 Positions  
 (Passivate & Gold Plating)

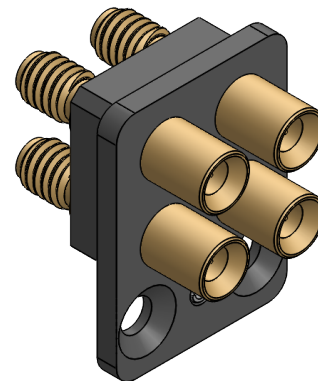
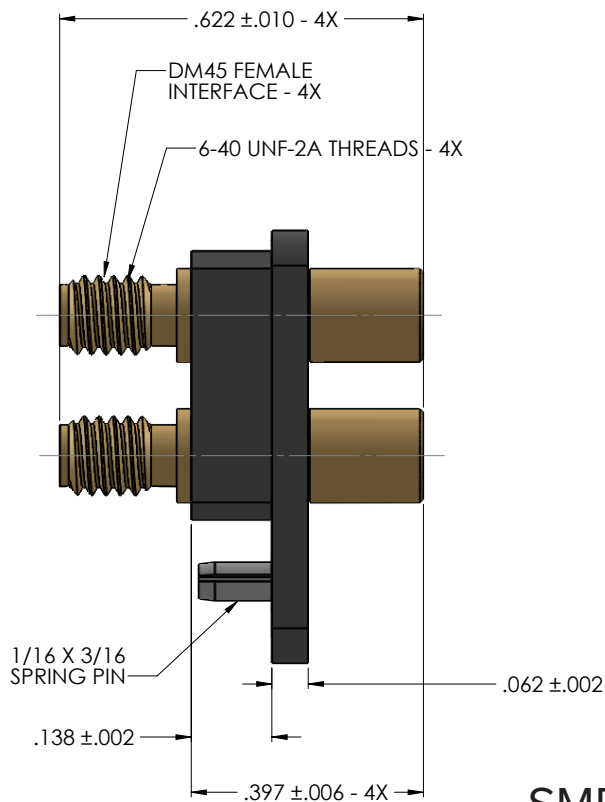
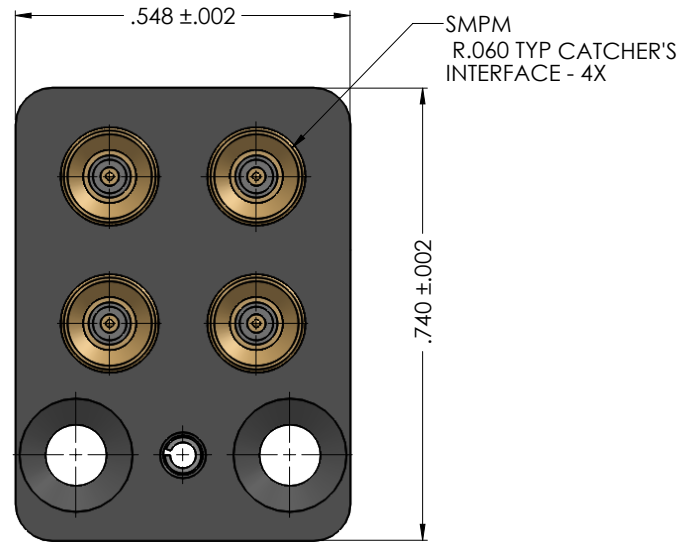
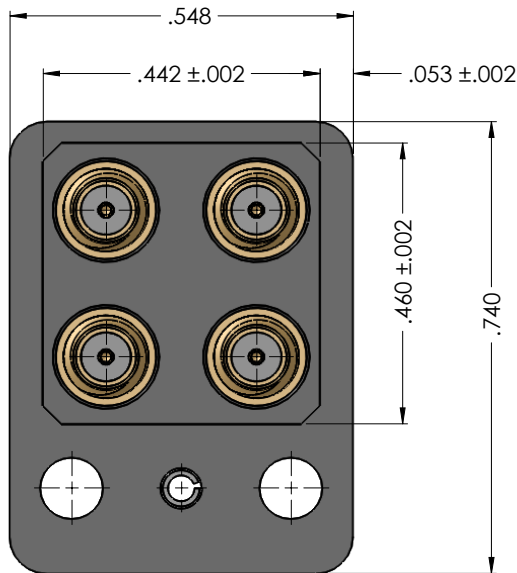
## VITA 67 Adapter Interconnects



2227000G001-046  
 SMPM Male (CM-SB) To DM 45 Female  
 Adapter Plate - 8 Positions  
 (Passivate & Gold Plating)

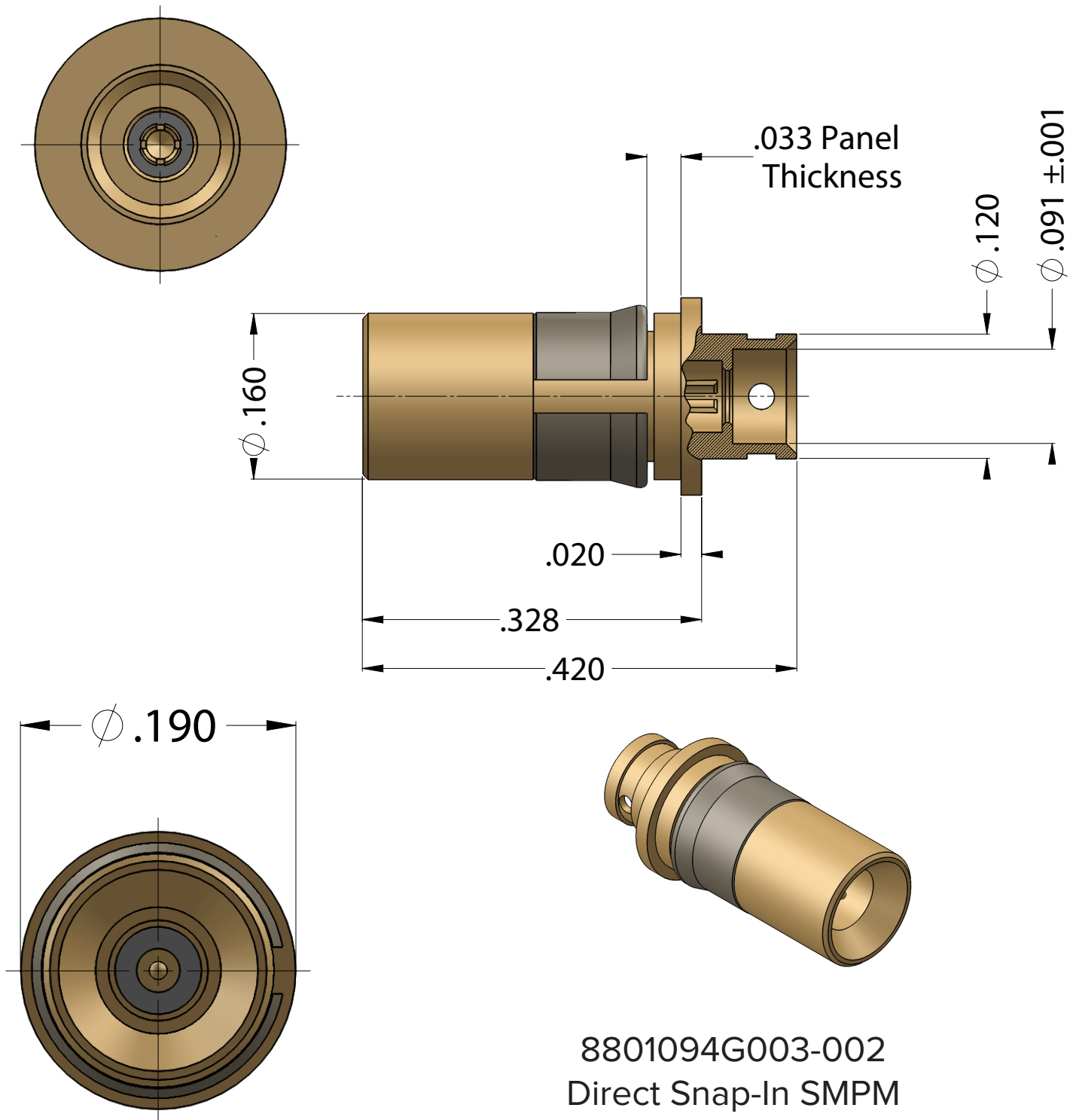


## VITA 67 Adapter Interconnects



**2227000G001-047**  
**SMPM Male (CM-SB) To DM 45 Female**  
**Adapter Plate - 4 Positions**  
**(Passivate & Gold Plating)**

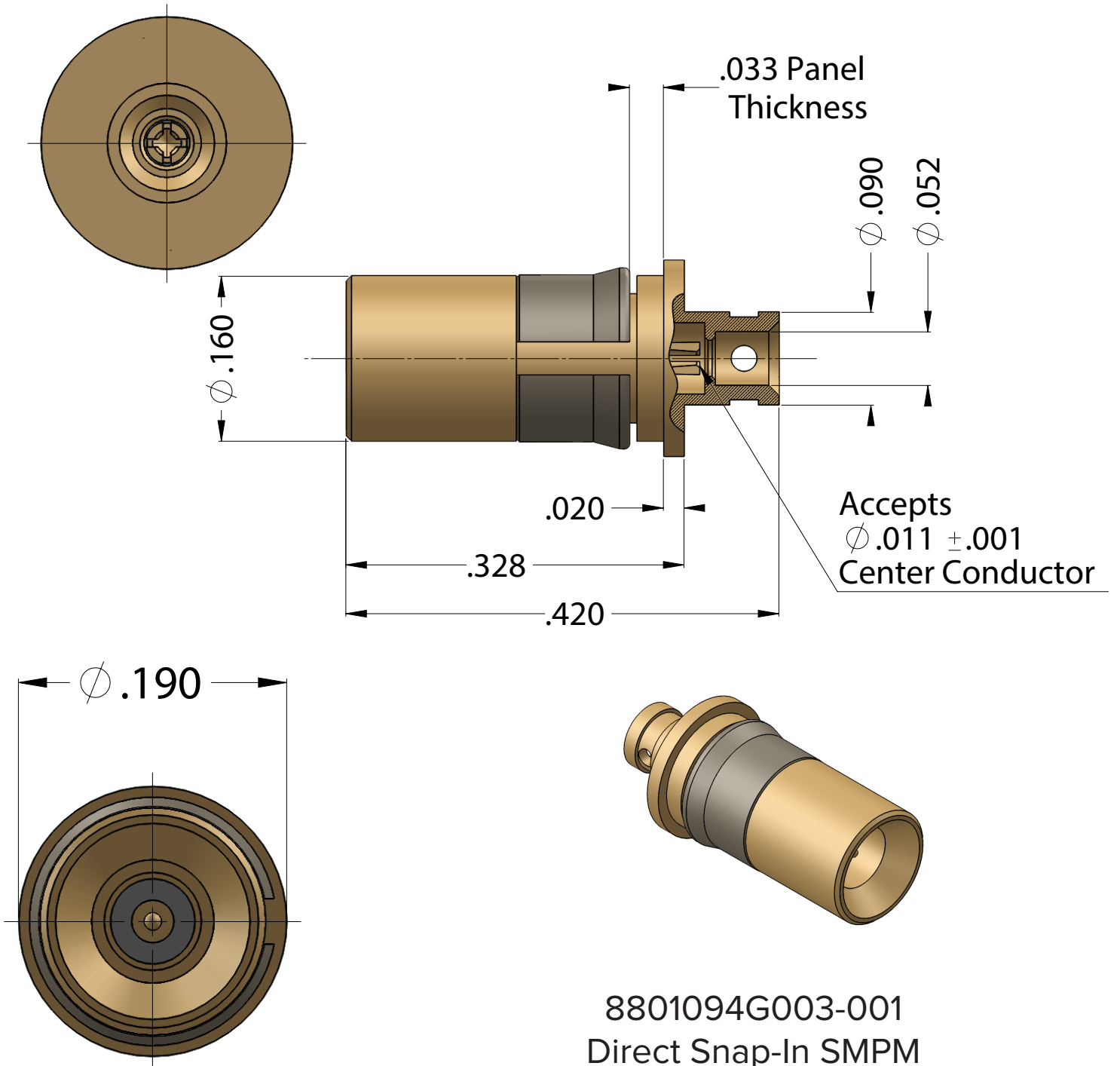
## VITA 67 Adapter Interconnects



8801094G003-002  
Direct Snap-In SMPM  
Direct Solder Male - CM  
For .085 S.R. Cable (Gold Plating)



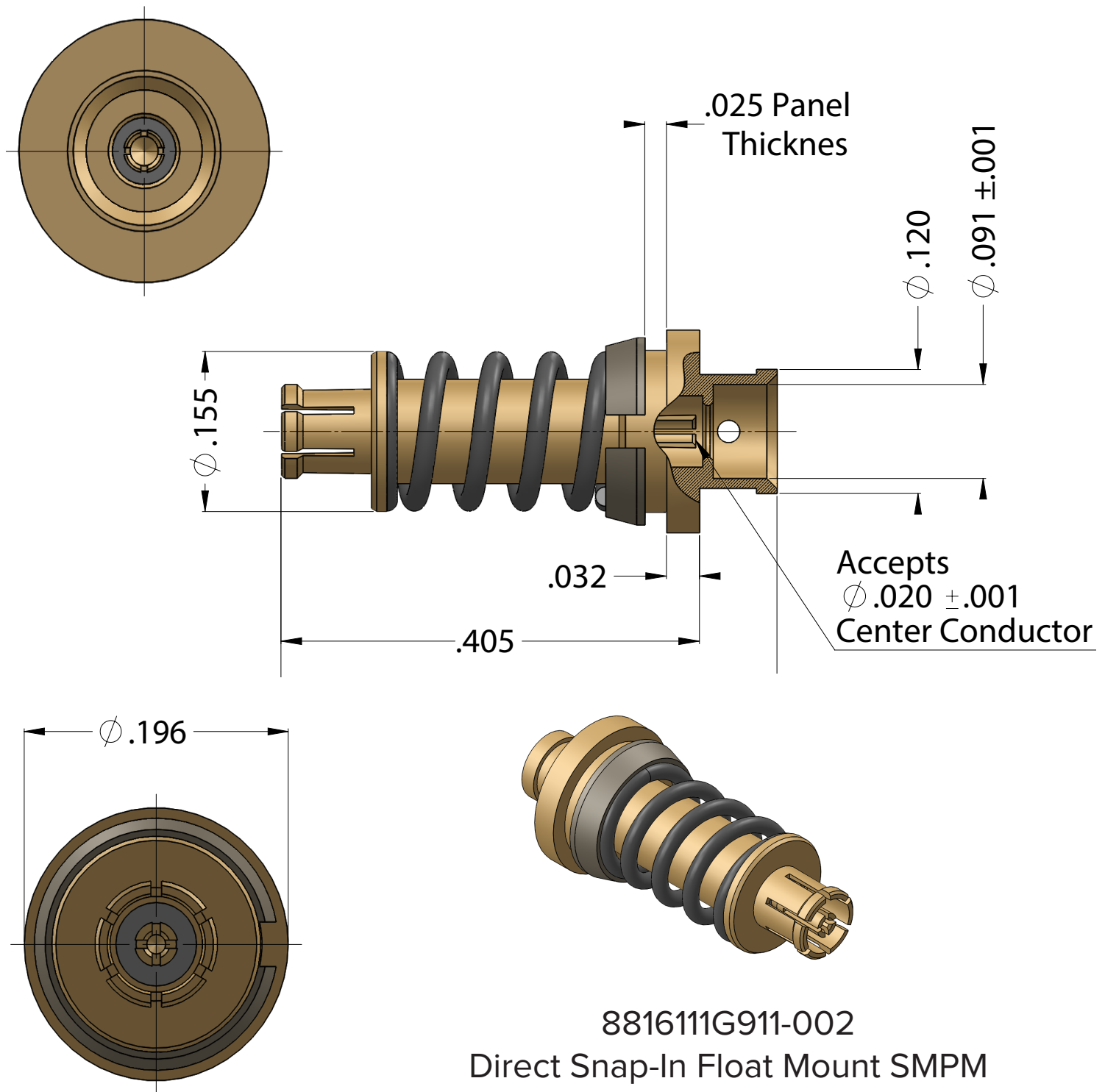
## VITA 67 Adapter Interconnects



8801094G003-001  
Direct Snap-In SMPM  
Direct Solder Male - CM

For .047 S.R. Cable or Flex Cable (Gold Plating)

## VITA 67 Adapter Interconnects



881611G911-002

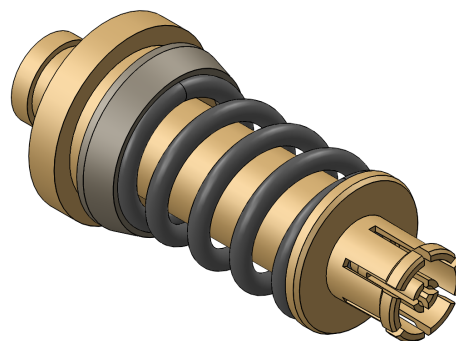
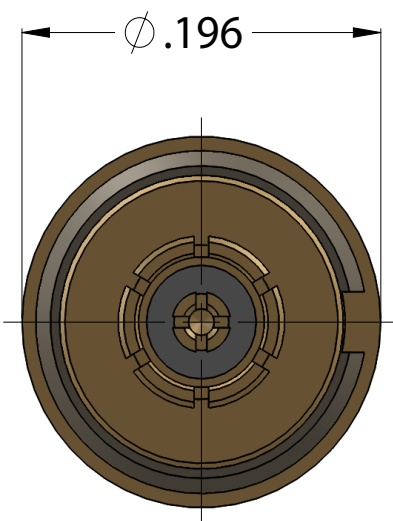
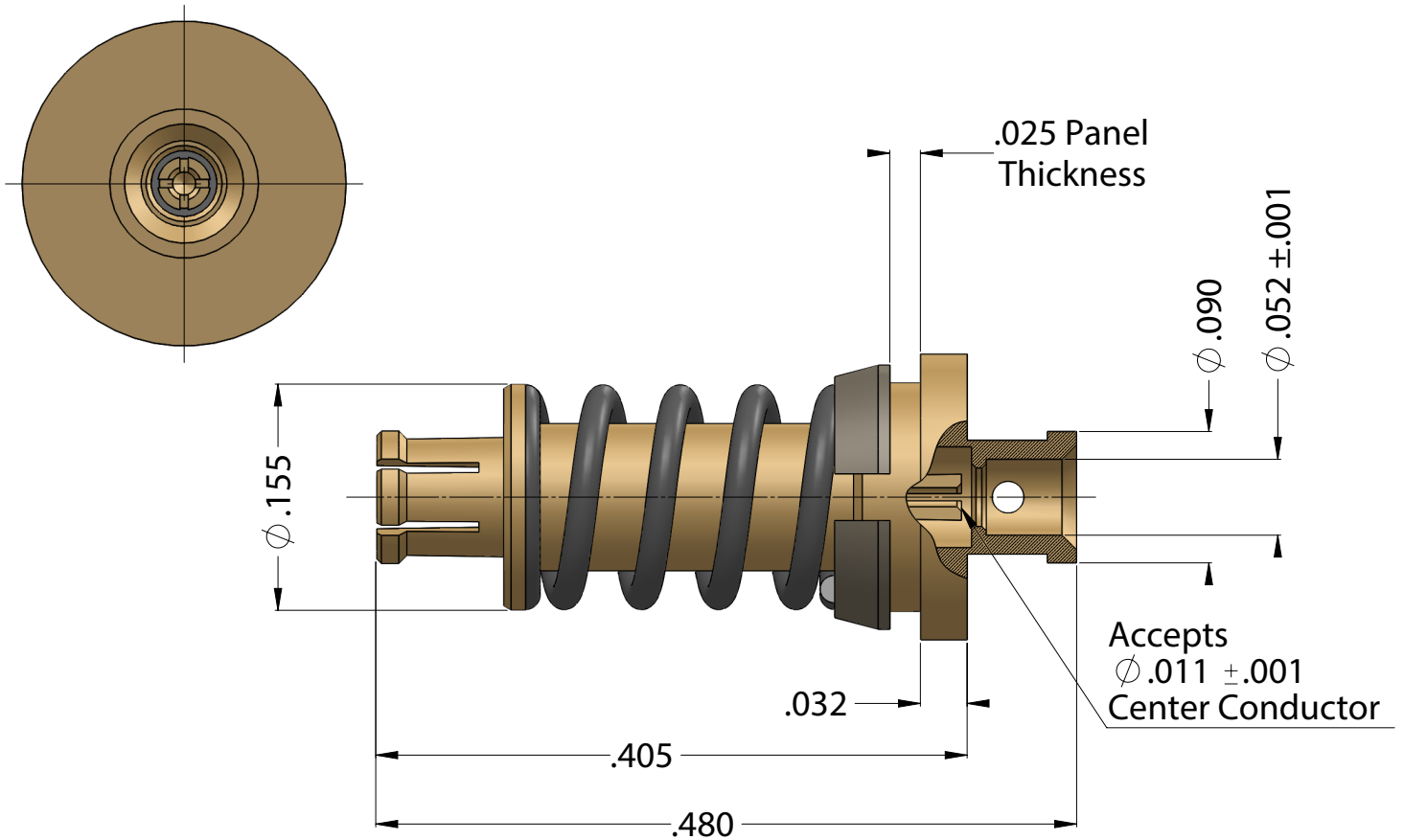
Direct Snap-In Float Mount SMPM

Direct Solder Female

For .085 S.R. Cable (Gold Plating)

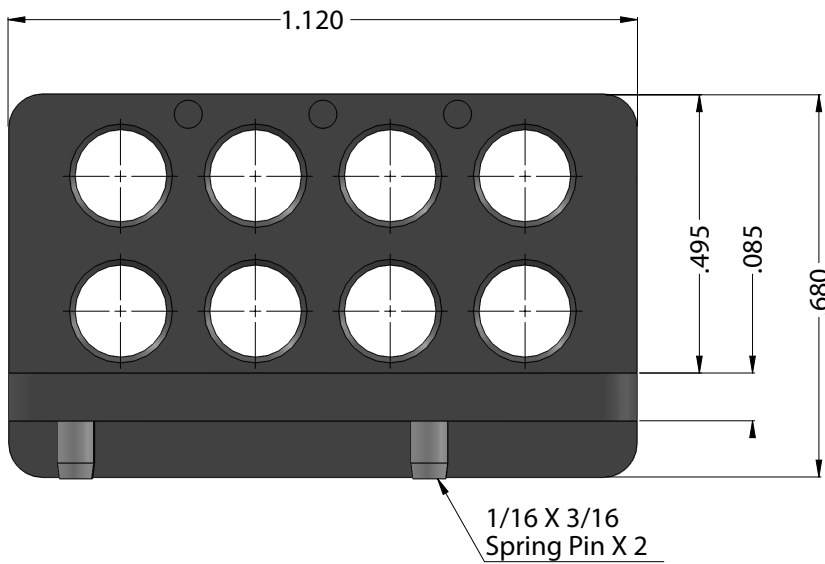
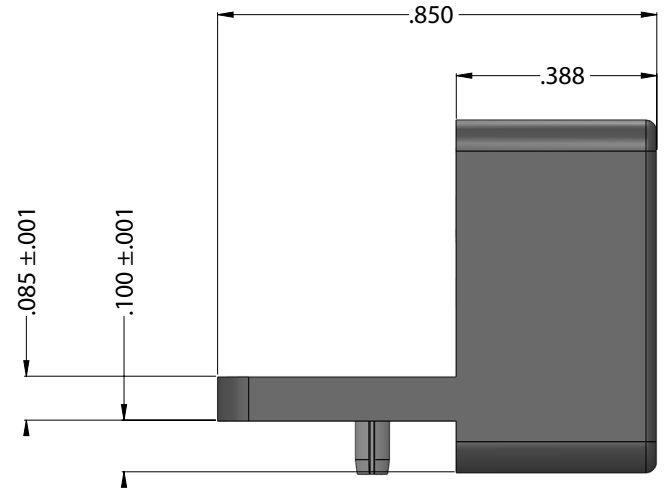
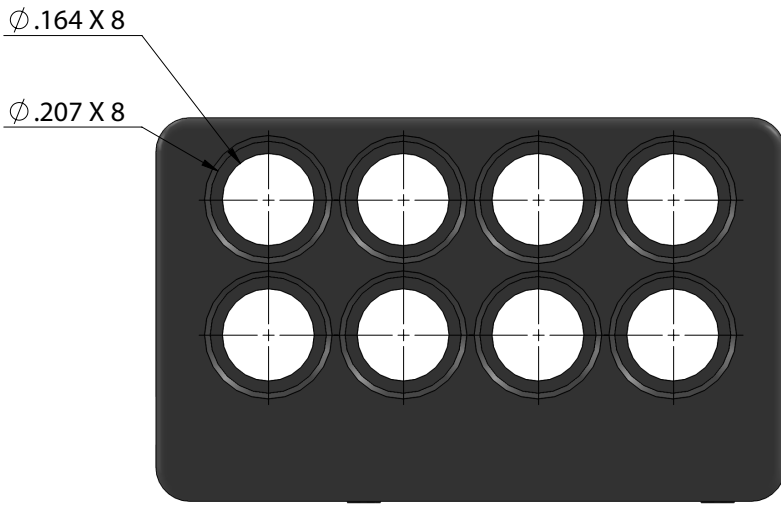


## VITA 67 Adapter Interconnects



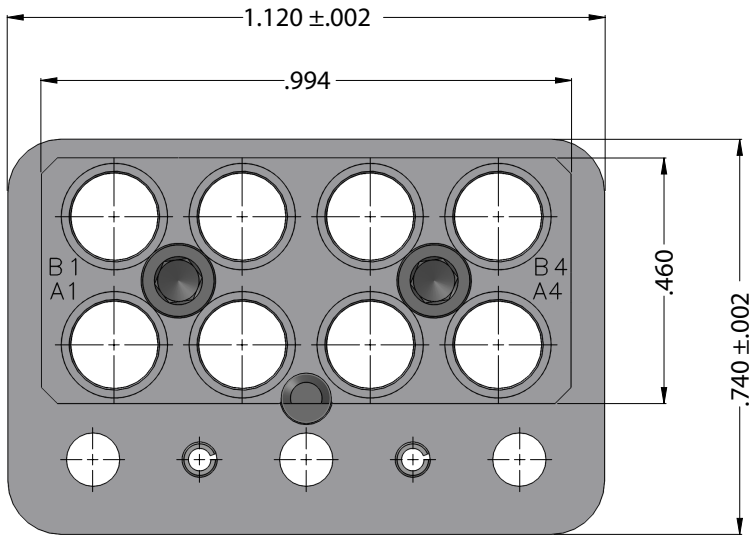
881611G911-001  
Direct Snap-In Float Mount SMPM  
Direct Solder Female  
For .047 S.R. or Flex Cable (Gold Plating)

## VITA 67 Adapter Interconnects

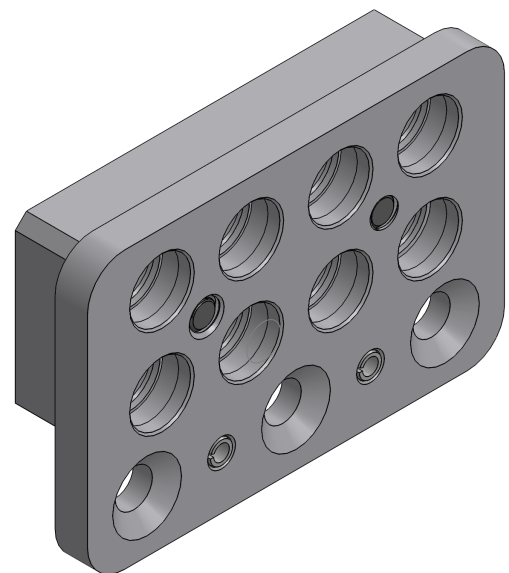
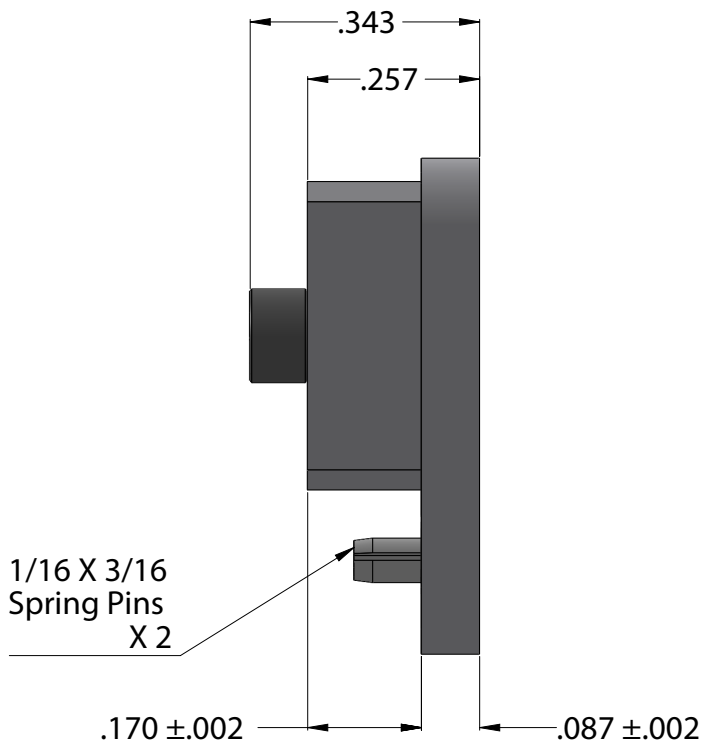
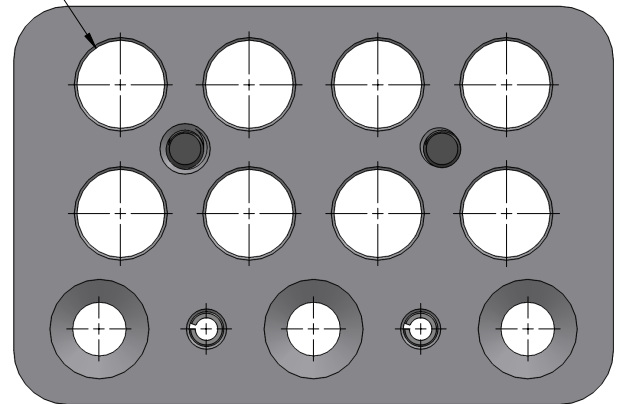


21-10200  
Right Angle 8 Position SMPM  
Housing

## Connector Type

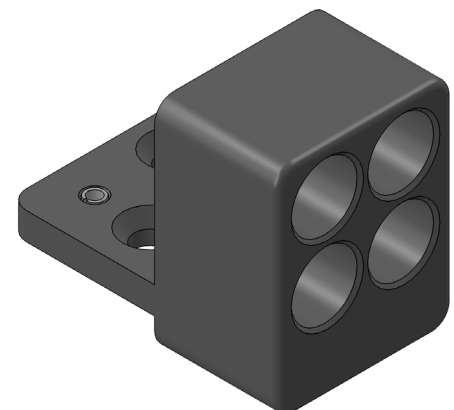
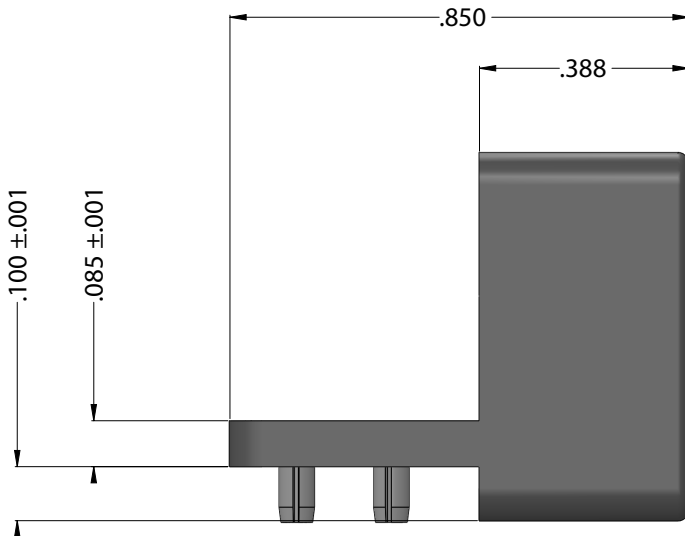
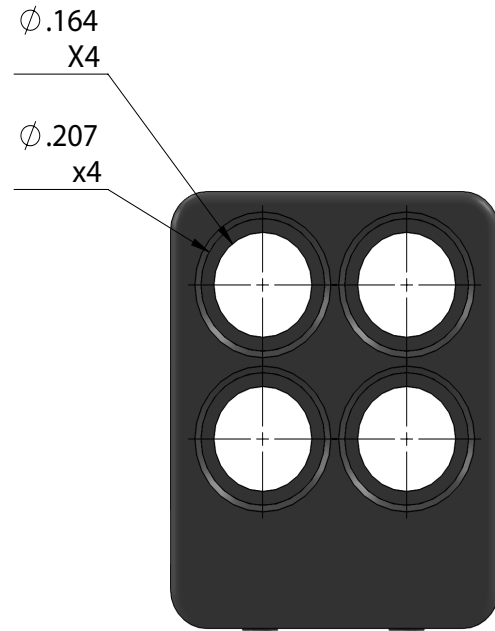
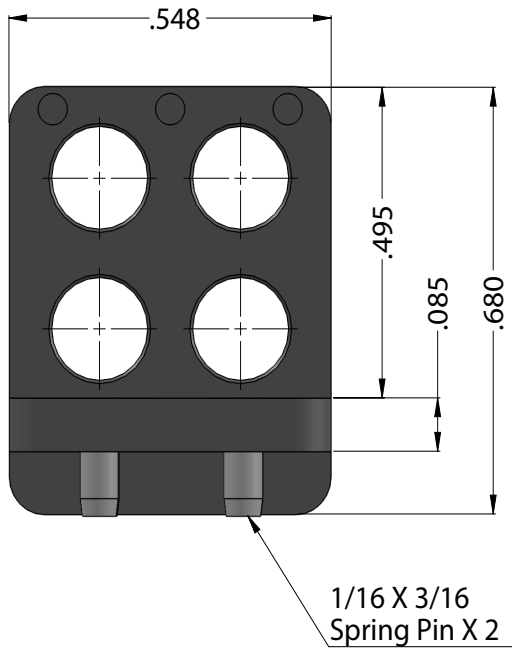


$\phi .164 \pm .001$   
X8



21-10202  
Vertical 8 Position SMPM  
Housing

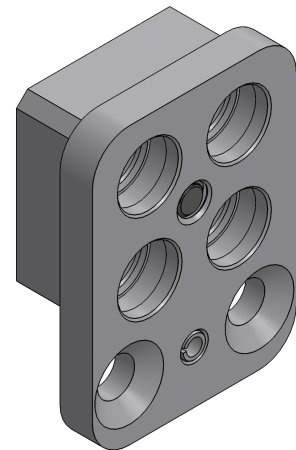
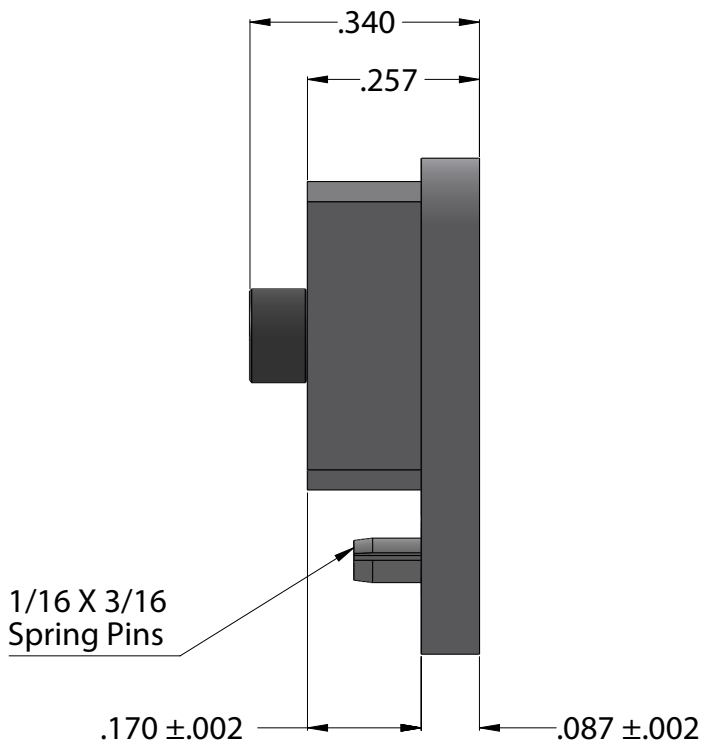
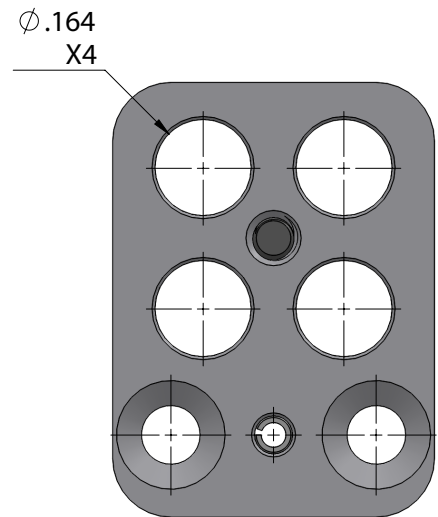
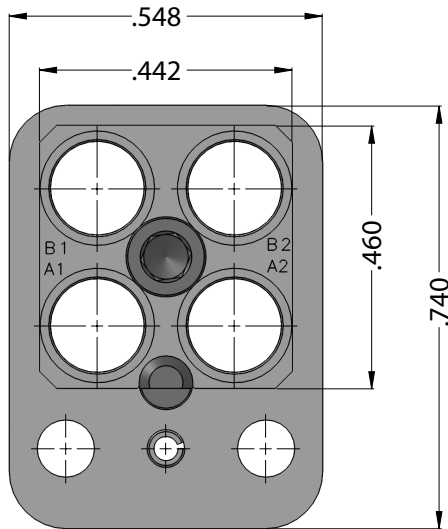
## VITA 67 Adapter Interconnects



21-10205  
Right Angle 4 Position SMPM  
Housing



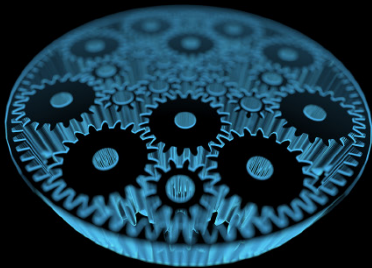
## VITA 67 Adapter Interconnects



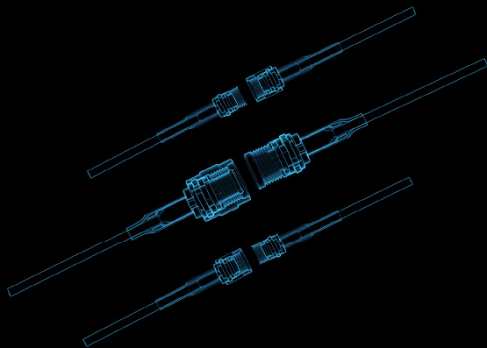
21-10208  
Vertical 4 Position SMPM  
Housing



CREATE



COLLABORATE



CONNECT



Delta Electronics Mfg. Corp.

[www.deltarf.com](http://www.deltarf.com)  
978-927-1060  
[sales@deltarf.com](mailto:sales@deltarf.com)

PO Box 53  
416 Cabot St.  
Beverly, MA 01915

